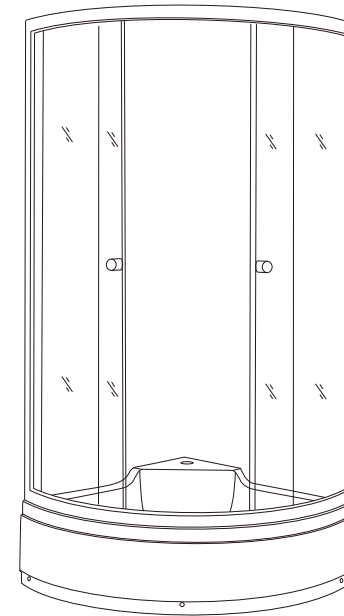
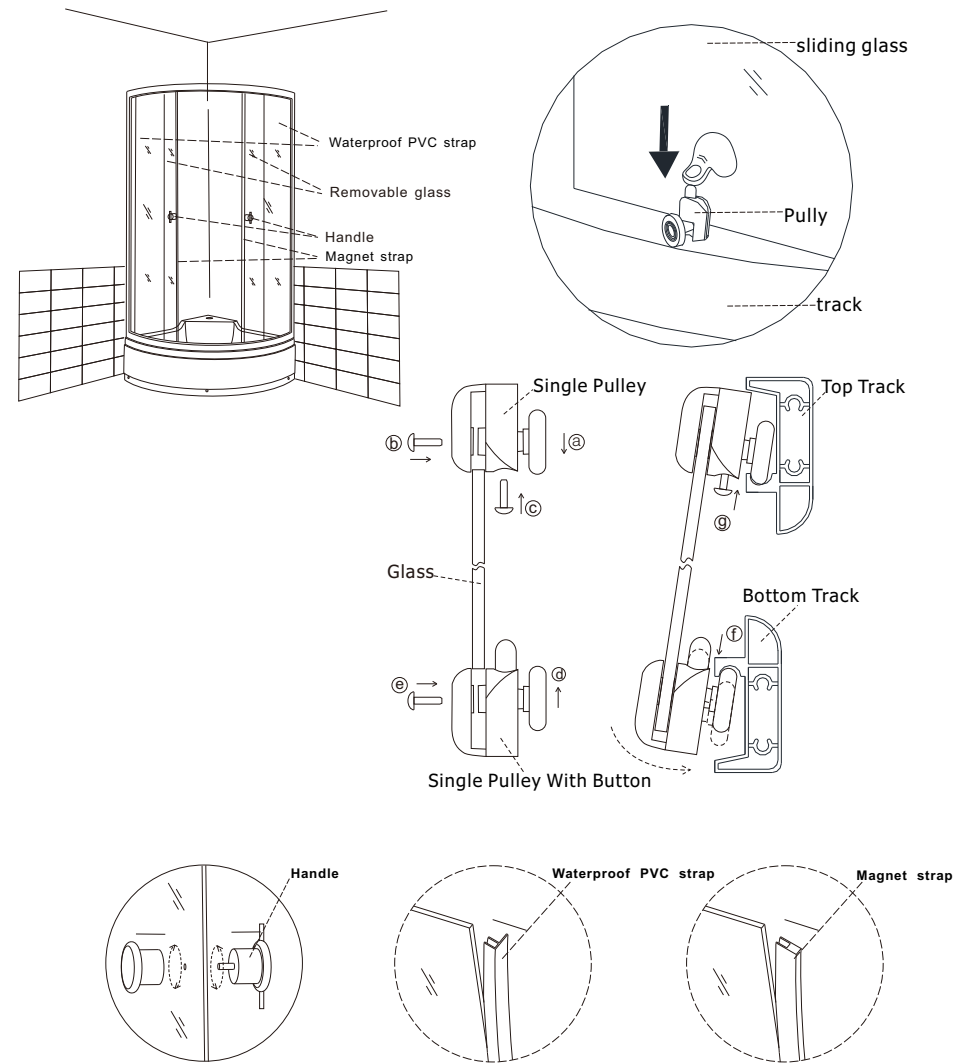


OUR SHOWER ROOM'S

INSTALLATION GUIDE



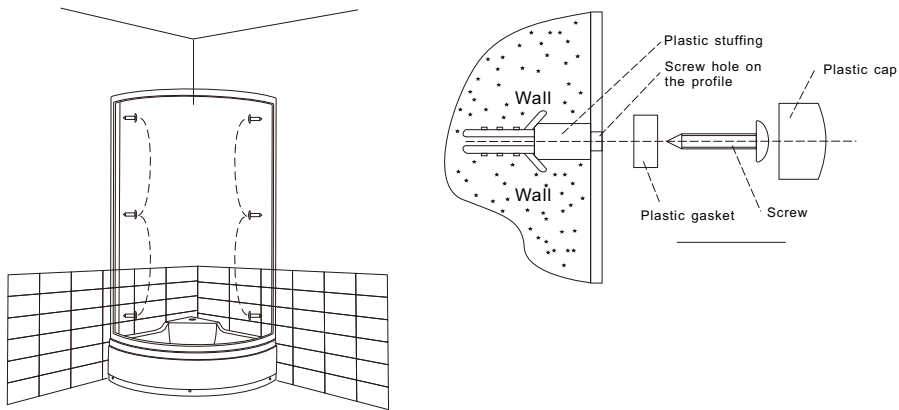
IG0122



Firstly, mount the pulleys on the sliding glass door, then insert it to the top track, mount the pulleys on the blew of the sliding door, notice that the pulley must be inserted into the track, then mount the handles; mount separately the magnet and waterproof PVC strap on both sides of the glass (same as the above drawing)

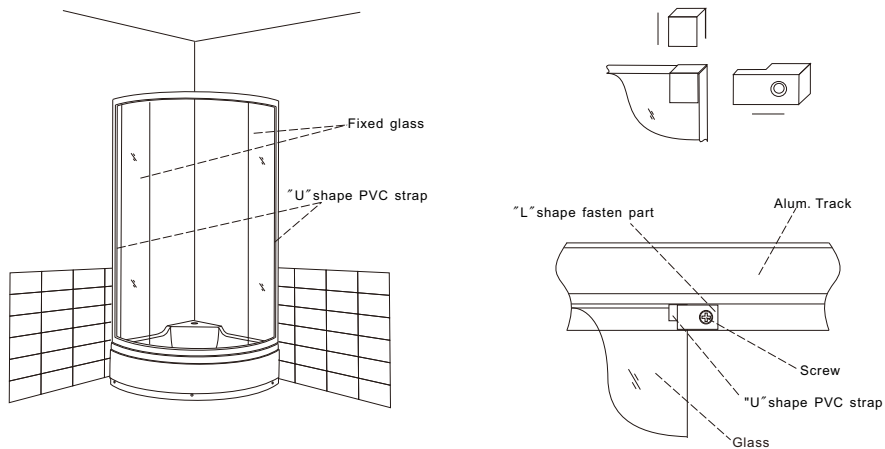
Finish the mounting, please do some cleaning, then you can enjoy the shower; Thanks for using our products.

Thanks for choosing our products,we'll provide best service for you.Please carefully read the manual before mounting.

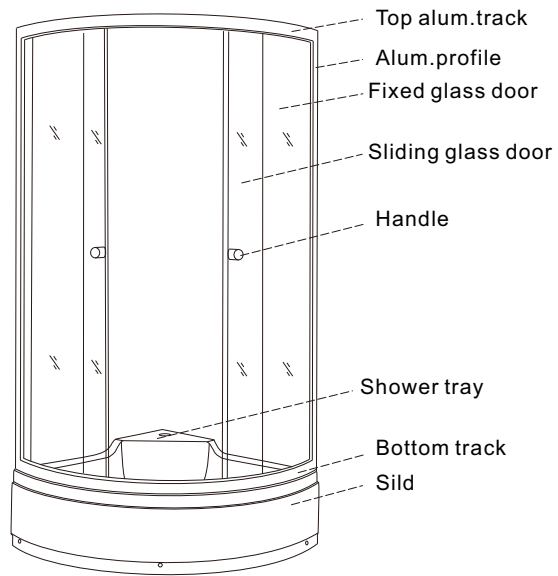


Put the alum.profile on the shower tray,close to the corner of wall,make marks on the wall, the use the screws(M4X26) to fix it to the wall; use the plastic cap cover the screw top. details please refer to the above drawing.

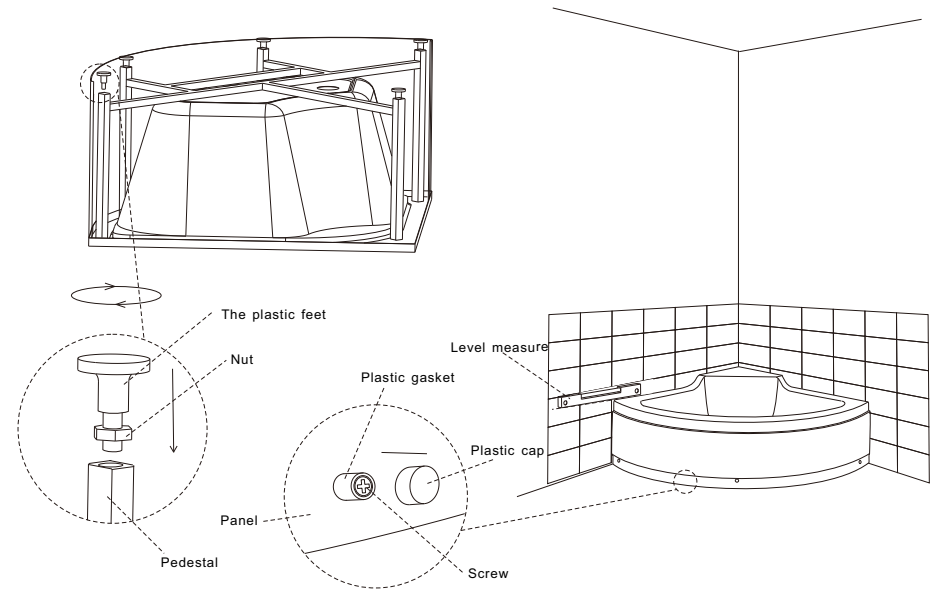
Index Page1
The shower room structure and mounting place Page2
Installation of shower tray and profile Page3
Installatio of fixed glass door Page4
Installation of sliding glass door Page5



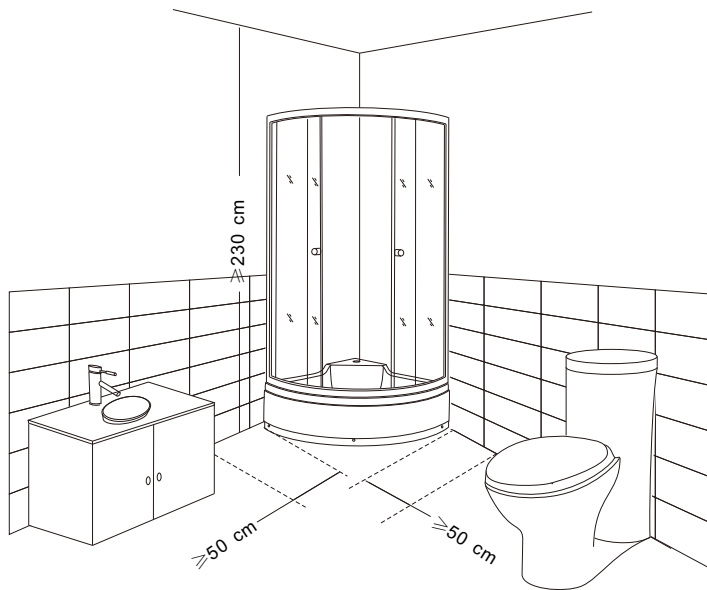
Insert the glass into the "U" PVC strap, then insert it into the alum. profilenotch; Insert the short "U" PVC strap to the glass corner, then use "L" shape fasten parts and screws (M4X16) fix the other end of the glass.



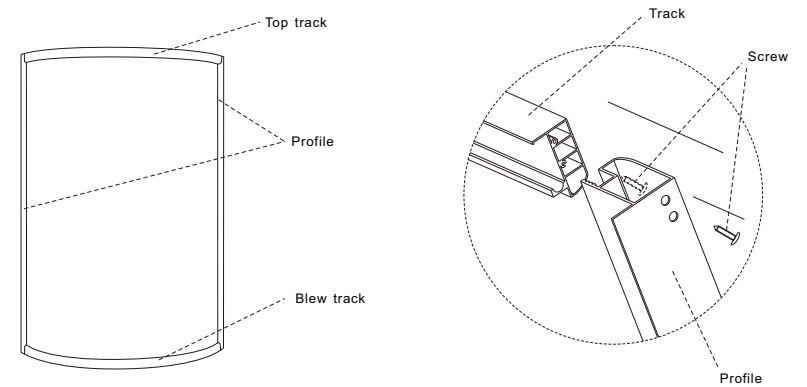
Complete structure



Adjust the plastic feet and make the tray in level , If you want remove the panel you can take-down the plastic cap and screw in the panel.



Place choosing for mounting



Use the screws to connect the profile and the tracks tightly, same as the above drawing.